

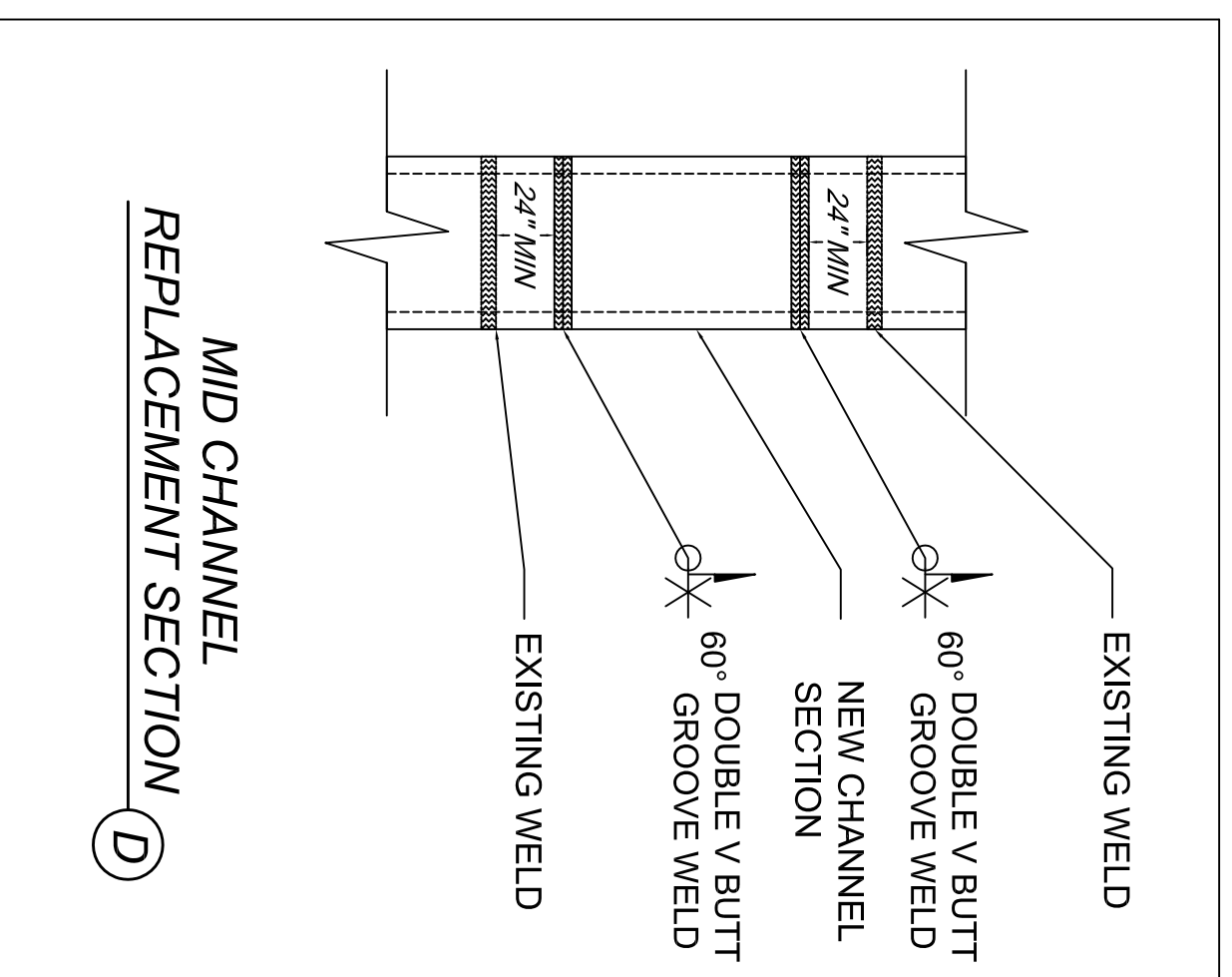
BASE PLATE CHANNEL SPLICE DETAIL (A)

NOTE 1.

THERE SHALL BE MAXIMUM 1 SPICE PER ANY 36" LENGTH OF STEEL CHANNEL. IF A PROPOSED WELD IS 18" OR LESS FROM AN EXISTING SPICE WELD OR ANOTHER PROPOSED SPICE WELD, MAKE A NEW CUT MINIMUM 2" FARTHER AWAY FROM THE EXISTING WELD OR PROPOSED WELD AND USE A LONGER PIECE OF CHANNEL.

NOTE 2.

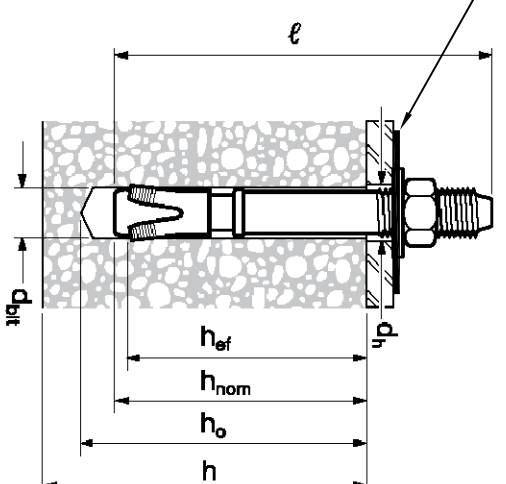
IF A PORTION OF THE REAR CHANNEL, ATTACHED TO THE WALL, IS CUT OUT, DO NOT SPICE WELD OLD AND NEW STEEL. CONSTRUCT NEW ANCHORS BOLT FOR THE REMAINING CHANNEL AND THE REPLACEMENT SECTION. THE NEW SECTION SHALL BE ATTACHED WITH MINIMUM TWO 5/8" ϕ ANCHOR BOLTS. THE OLD SECTION SHALL BE REINFORCED WITH MINIMUM ONE 5/8" ϕ ANCHOR BOLT. MAINTAIN ANCHOR BOLT SPACING PER DETAILS E & F.



MID CHANNEL REPLACEMENT SECTION (D)

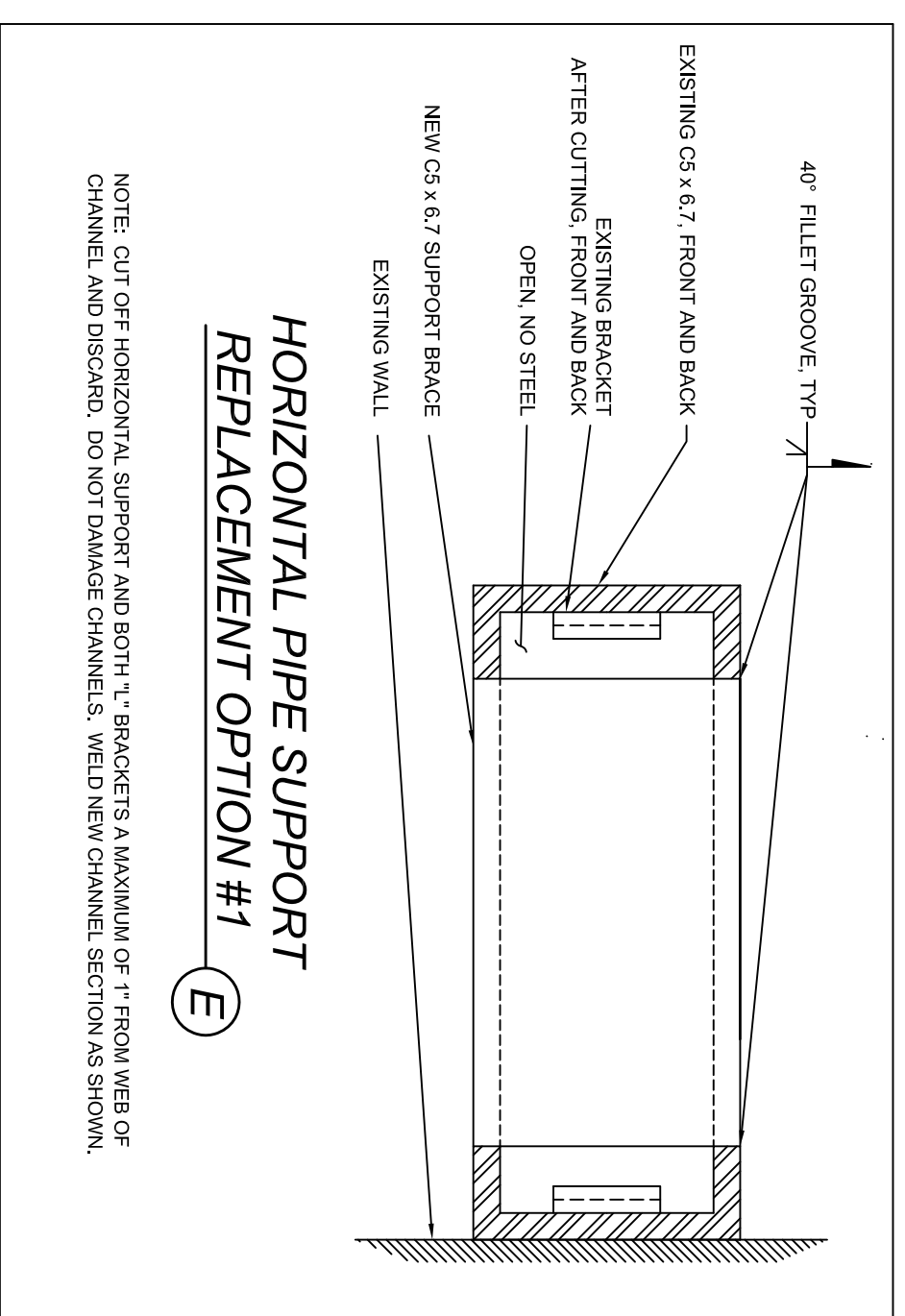
1/4" PLATE WASHER W/ 1/16" HOLE BETWEEN BASEPLATE AND ANCHOR BOLT WASHER

| Diameter 5/8" Anchor Bolts | Units (per manufacturer) |
|----------------------------|--------------------------|
| Symbol | Redhead |
| Height | 2 1/2" |
| Height (min) | 3 1/2" |
| Height (max) | 3 3/4" |
| Depth | 1 1/16" |
| Torque | 190 ft/lbs |

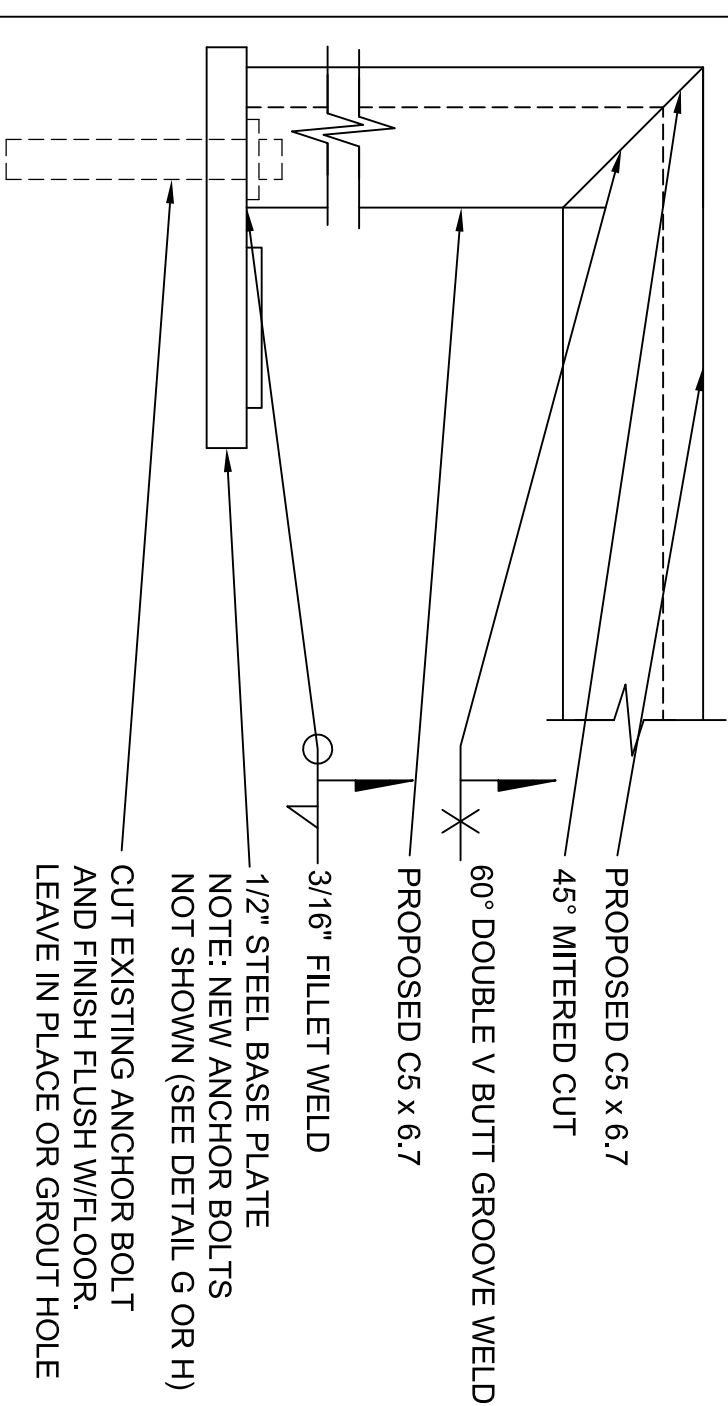


ANCHOR BOLT DETAIL (B)

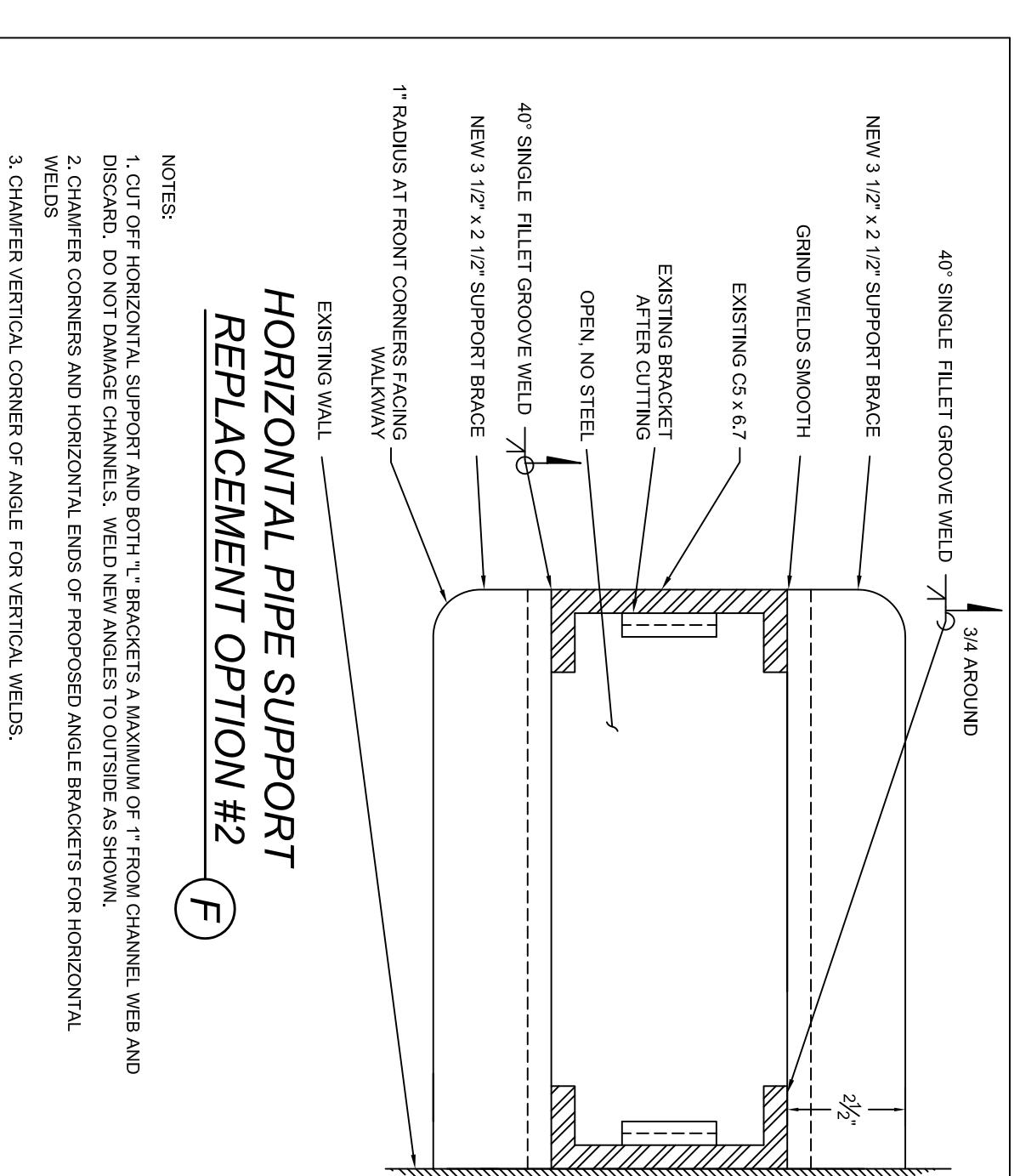
NOTE: CHART IS FOR REFERENCE ONLY. FOLLOW MANUFACTURER'S GUIDELINES FOR SPECIFICATIONS.



HORIZONTAL PIPE SUPPORT REPLACEMENT OPTION #1 (E)



MITERED SPLICE FLOOR FRAME SUPPORT DETAIL (C)



HORIZONTAL PIPE SUPPORT REPLACEMENT OPTION #2 (F)

NOTES:

- CUT OFF HORIZONTAL SUPPORT AND BOTH "L" BRACKETS A MAXIMUM OF 1" FROM CHANNEL WEB AND DISCARD. DO NOT DAMAGE CHANNELS. WELD NEW ANGLES TO OUTSIDE AS SHOWN.
- CHAMFER CORNERS AND HORIZONTAL ENDS OF PROPOSED ANGLE BRACKETS FOR HORIZONTAL WELDS
- CHAMFER VERTICAL CORNER OF ANGLE FOR VERTICAL WELDS.

| | | | | | |
|--|-----------------|--------------------|--|------|------------|
| TOWN OF POUGHKEEPSIE ENGINEERING DEPARTMENT | | REV. NO. | DESCRIPTION | DATE | BY |
| DATE 10-19-2017 | SCALE NTS | DESIGNED BY TEH | ARLINGTON WWTP PIPE SUPPORT CONTRACT 2017-6 | | |
| | DRAWN BY SFC | FILE NO. 2017-6 | TOWN OF POUGHKEEPSIE DUTCHESS COUNTY, NY | | |
| | | | BRACKET DETAILS | | |
| | | | | | DWG 5 of 6 |