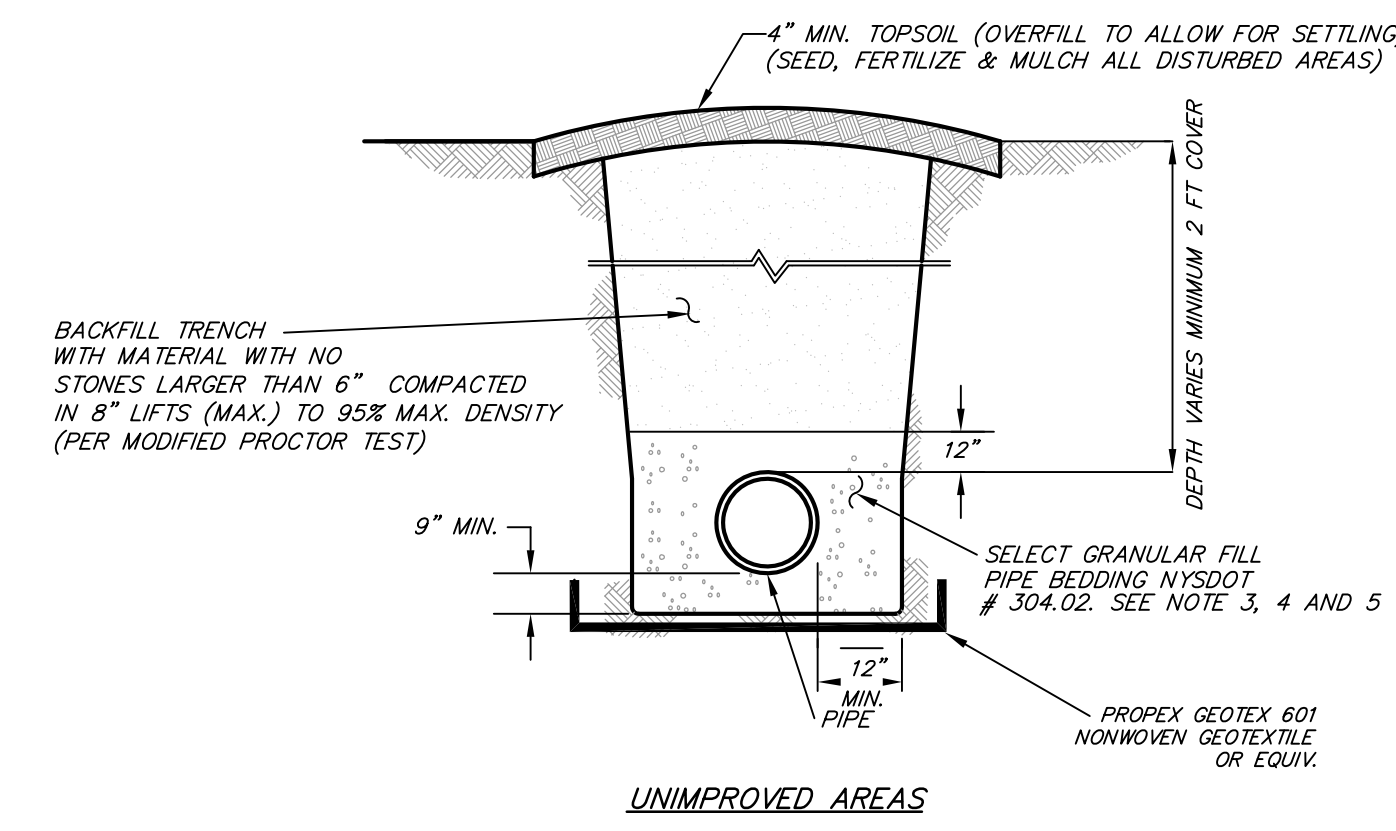


PROPOSED CONDITIONS

NOTES

1. AMOUNT OF PIPE REPLACEMENT IS TO BE DETERMINED IN FIELD AS PRESENT CONDITIONS PREVENT SUBSURFACE INVESTIGATION.
2. MANHOLE SHALL BE REMOVED AND REPLACED.
3. TO PREVENT FUTURE EROSION FROM UNDERMINING THE SANITARY SYSTEM INFRASTRUCTURE, DREDGING IS PROPOSED IN THE AREA INDICATED TO ALLOW THE CASPERKILL CREEK TO FLOW IN ITS ORIGINAL PATHWAY.
4. ALL GRADING ADJACENT TO WEST BANK MUST BE STABILIZED BY RIP-RAP STREAM BANK REINFORCEMENT PER DETAIL.
5. FINAL GRADING ON EAST SIDE OF THE STREAM BANK MUST HAVE A MINIMUM OF 1:3 SLOPE.
6. ALL AREAS OF DISTURBANCE MUST BE SEEDED AND STABILIZED WITH RYE, BLUEGRASS AND FESCUE MIX PER SPECIFICATIONS.

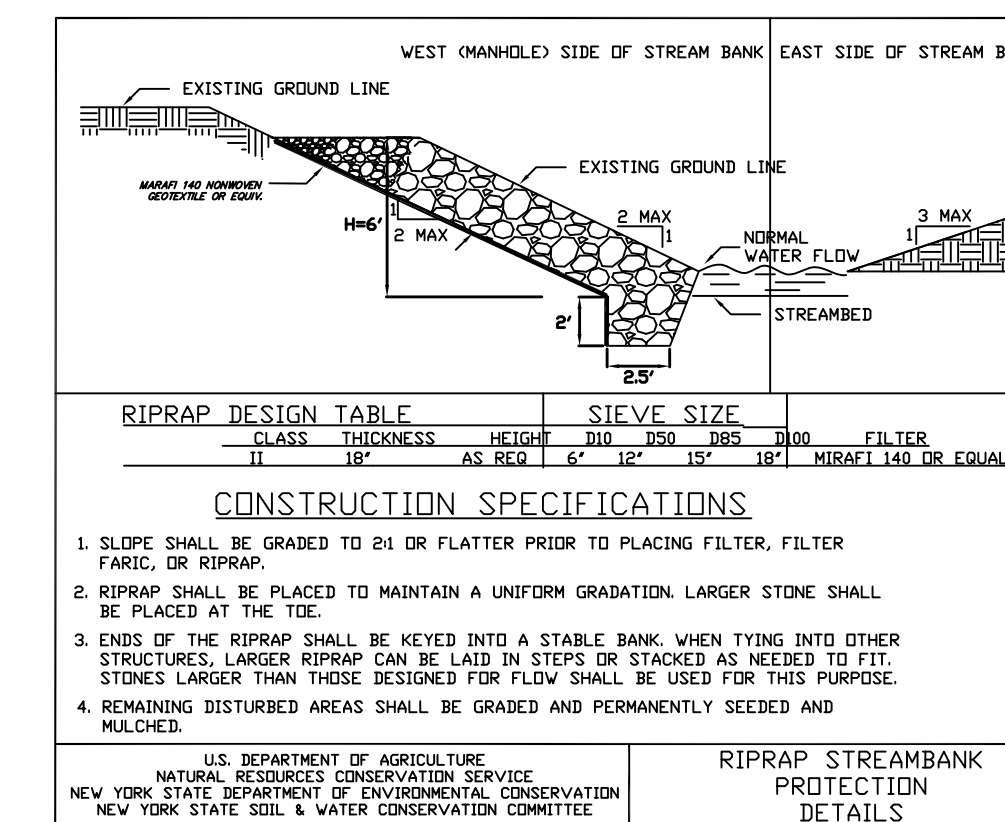


TRENCH EXCAVATION, BACKFILL AND RESTORATION DETAILS

N.T.S.

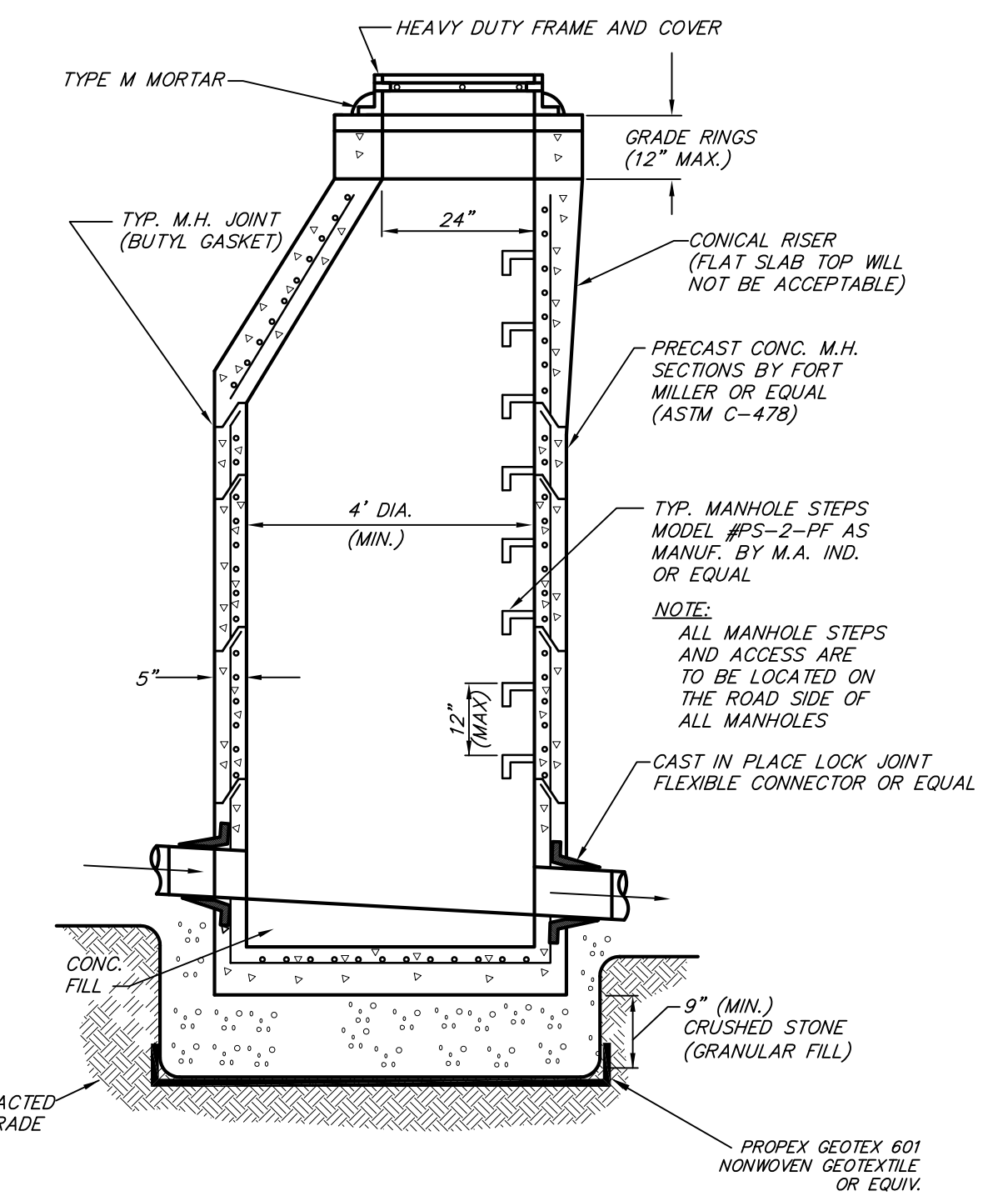
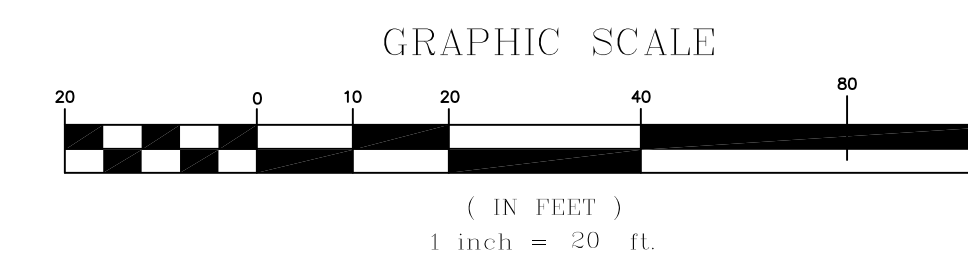
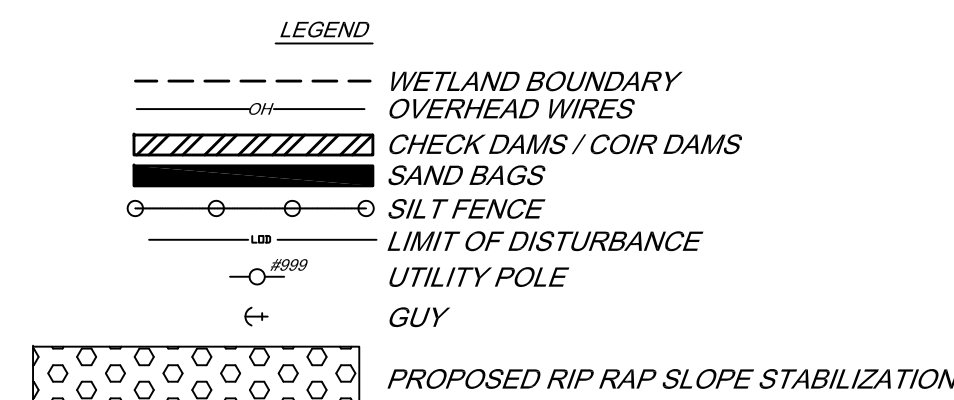
NOTES:

1. PIPE BEDDING MATERIAL AND SUB-BASE COURSE, WHERE APPLICABLE, SHALL BE INSTALLED IN 6" LIFTS BEFORE COMPACTION TO A MINIMUM 95% OF STANDARD PROCTOR MAXIMUM DENSITY.
2. EXCAVATING OVER 5' REQUIRES SHEETING/SHORING OR OVER EXCAVATION OF TRENCH SIDE WALLS PER OSHA



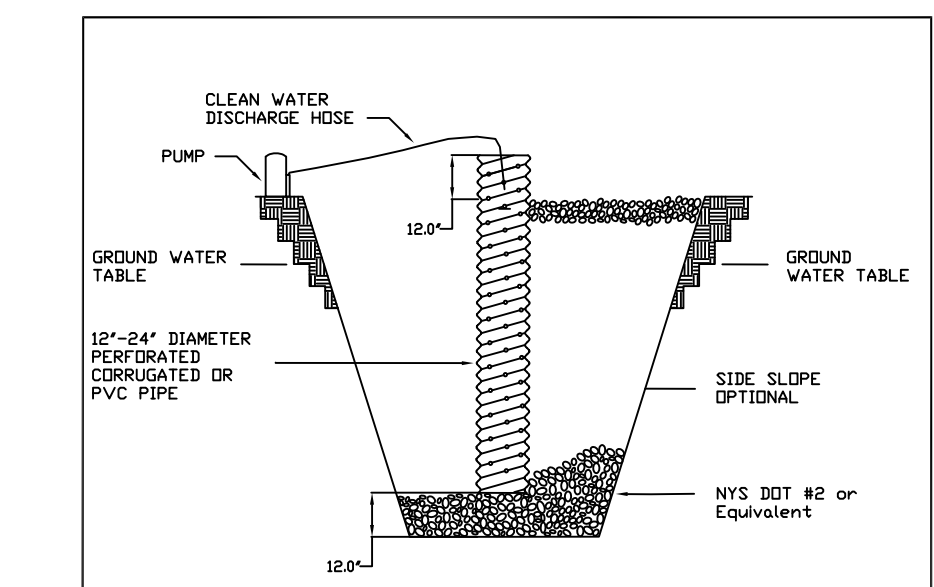
STREAM BANK PROTECTION DETAIL

N.T.S.



TYPICAL PRECAST CONCRETE MANHOLE DETAIL

N.T.S.



- CONSTRUCTION SPECIFICATIONS**
1. PIT DIMENSIONS ARE OPTIONAL.
 2. THE STANDPIPE SHOULD BE CONSTRUCTED BY PERFORMING A 12-24" DIAMETER CORRUGATED OR PVC PIPE.
 3. A BASE OF 2" AGGREGATE SHOULD BE PLACED IN THE PIT TO A DEPTH OF 12". AFTER INSTALLING THE STANDPIPE, THE PIT SURROUNDING THE STANDPIPE SHOULD BE BACKFILLED WITH 2" AGGREGATE.
 4. THE STANDPIPE SHOULD EXTEND 12-18" ABOVE THE LIP OF THE PIT.
 5. IF DISCHARGE WILL BE PUMPED DIRECTLY TO A STORM DRAINAGE SYSTEM, THE STANDPIPE SHOULD BE WRAPPED WITH FILTERCLOTH BEFORE INSTALLATION. IF DESIRED, 1/4"-1/2" IMPERMEABLE CLOTH MAY BE PLACED AROUND THE STANDPIPE, PRIOR TO ATTACHING THE FILTERCLOTH.

TRENCH SUMP PIT DETAIL

N.T.S.

1. TRENCH SUMP PIT SHALL BE USED WHERE APPLICABLE.

REV. No.	DESCRIPTION	DATE	BY
MANCHESTER GARDENS			
TOWN OF POUGHKEEPSIE		DUTCHESS COUNTY, NY	
PROPOSED CONDITIONS & LIMIT OF DISTURBANCE			
MORRIS ASSOCIATES P.L.L.C.			
9 Elks Lane Poughkeepsie, New York 12601 Phone No. (845) 454-3411 Fax No. (845) 473-1962		64 Green Street Hudson, New York 12534 Phone No. (518) 828-2300 Fax No. (518) 828-3963	
DATE 8/21/2017	SCALE 1" = 20'	DRAWN BY SFC	CHECKED BY MA
	FILE No. 40161.20	DRAWING No. 2 of 2	