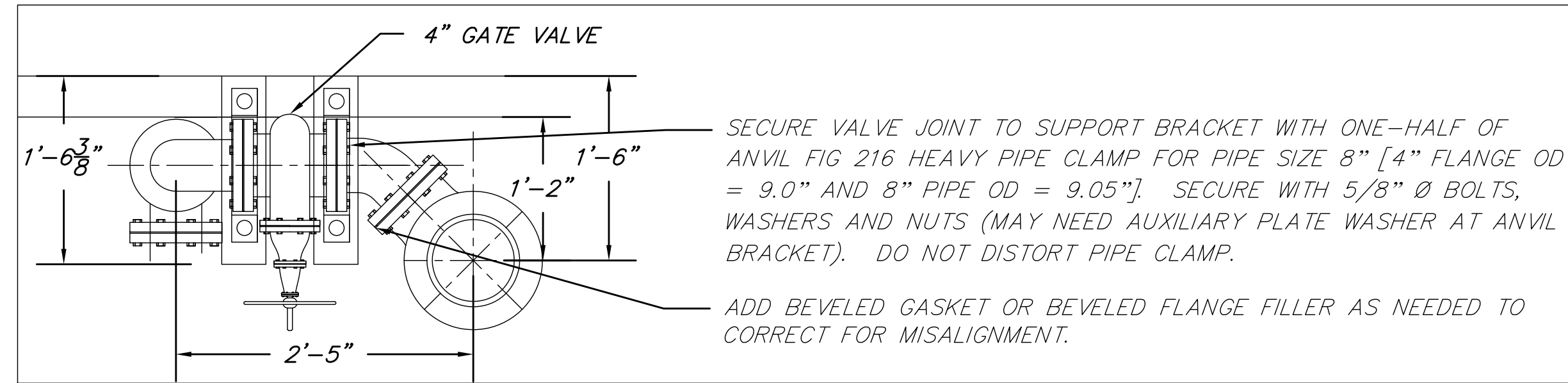


ALTERNATE LOCATION FOR 4" GATE VALVE



VIEW C-C
SCALE = NTS

SECURE VALVE JOINT TO SUPPORT BRACKET WITH ONE-HALF OF ANVIL FIG 216 HEAVY PIPE CLAMP FOR PIPE SIZE 8" [4" FLANGE OD = 9.0" AND 8" PIPE OD = 9.05"]. SECURE WITH 5/8" Ø BOLTS, WASHERS AND NUTS (MAY NEED AUXILIARY PLATE WASHER AT ANVIL BRACKET). DO NOT DISTORT PIPE CLAMP.

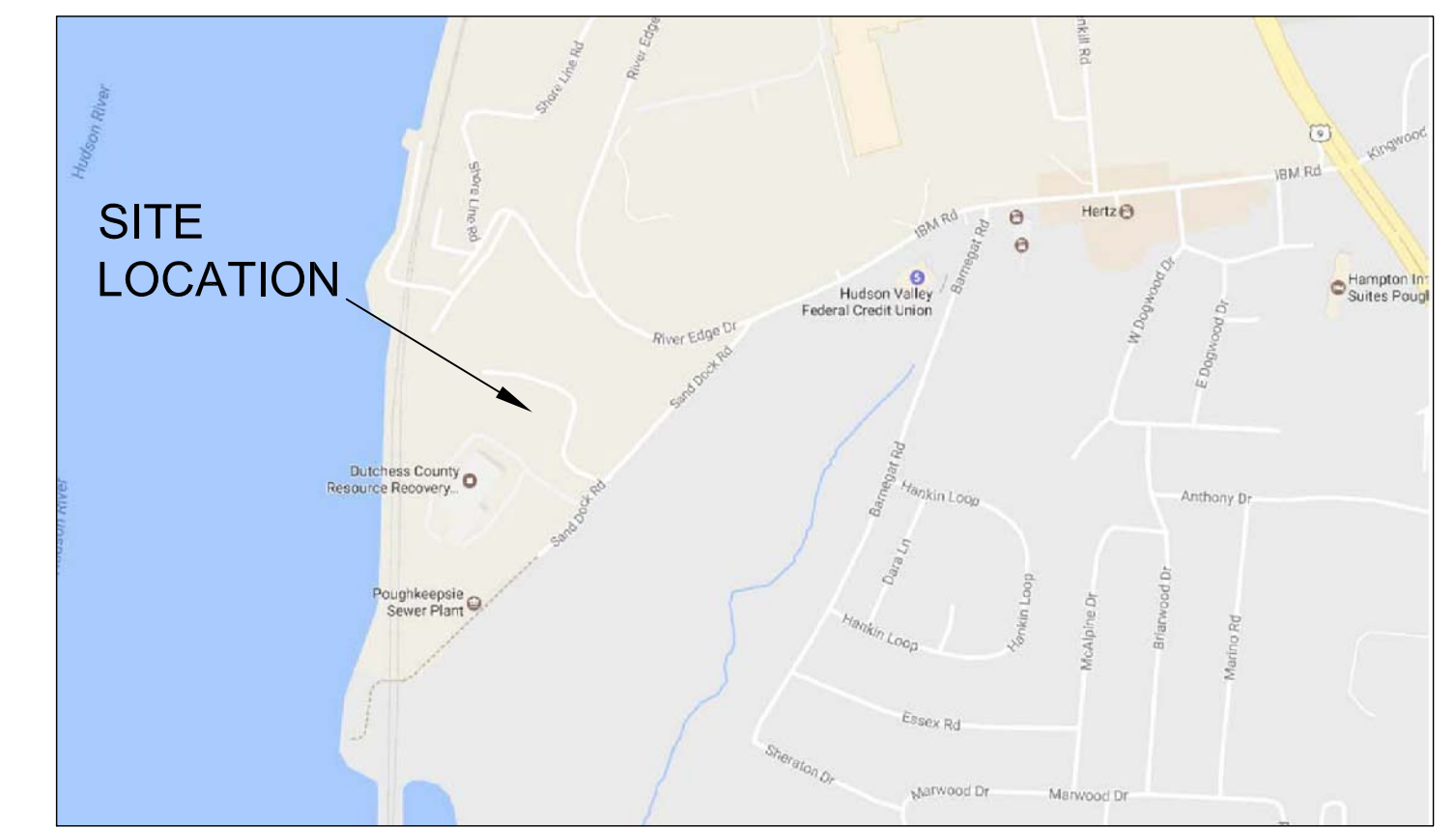
ADD BEVELED GASKET OR BEVELED FLANGE FILLER AS NEEDED TO CORRECT FOR MISALIGNMENT.

N-M SECTION DESCRIPTION

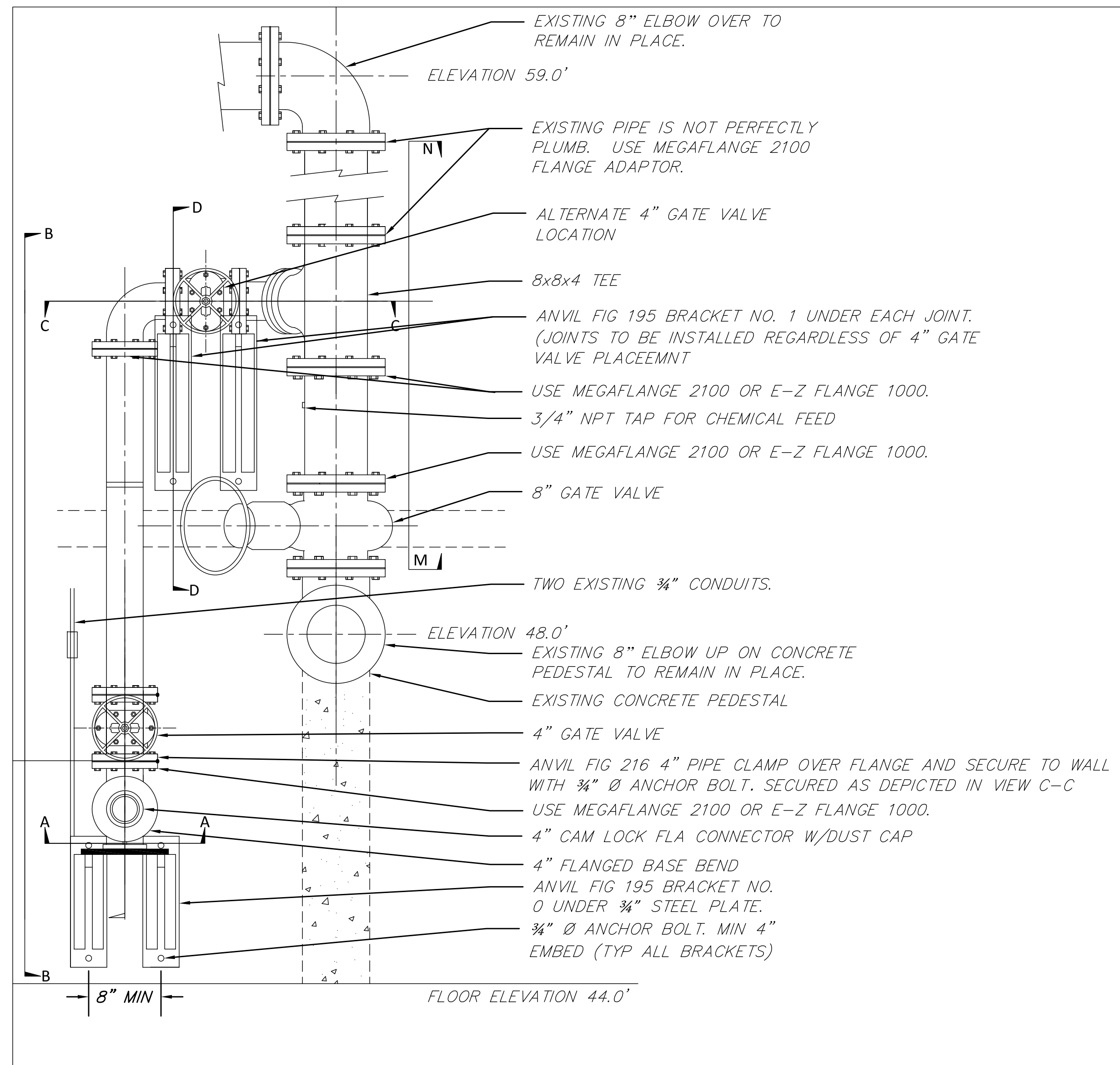
LIMITS OF PIPE REMOVAL AND NEW PREFABRICATED SECTION WITH VALVE AND TEE. SUBMIT A SHOP DRAWING FOR ACCEPTANCE SHOWING ALL DIMENSIONS AND ANY REVISIONS FROM THE PLAN DRAWING.

GENERAL NOTES

1. ALL NUTS, EXCEPT NUTS ON PIPE FITTINGS AND FLANGES, SHALL BE SECURED WITH A SPLIT RING WASHER AND RED THREADLOCKER COMPOUND.
2. WHEN BOLTING TO AN EXISTING CAST IRON FLANGE USE ONLY ASTM A307 BOLTS AND USE EXTREME CAUTION NOT TO CRACK THE CAST IRON FLANGE.
3. ALL DRAWINGS ARE APPROXIMATE AND MEASUREMENTS ARE TO BE FIELD VERIFIED.
4. THE INSTALLATION OF ALL CONSTRUCTION SHOWN ON THIS SHEET MUST BE COMPLETED WITHIN THE 4 HOUR WINDOW ALLOWED BY THE PLANT OPERATOR FOR SHUTDOWN OF THE EFFLUENT WATER SYSTEM. PREASSEMBLY, PREFABRICATION AND CONSTRUCTION SEQUENCE SHALL ALL BE SHOWN ON A SHOP DRAWING ALONG WITH THE ESTIMATED TIME FOR COMPLETION FROM THE TIME THAT THE EFFLUENT WATER PUMP IS TURNED OFF UNTIL WATER IS PUMPED INTO THE 4" BYPASS FEED LINE. THE DRAWING SHALL ALSO ADDRESS THE AUXILIARY WATER FEED DIRECT FROM THE CHLORINATION BASIN TO THE 4" BYPASS FEED AND THAT THE AUXILIARY WATER FEED MUST BE IN PLACE AND OPERATIONAL BEFORE THE EFFLUENT WATER PUMP IS SHUT OFF.



LOCATION MAP
SHEET SCALE NTS



PROFILE
SCALE = NTS

EXISTING 8" ELBOW OVER TO REMAIN IN PLACE. ELEVATION 59.0'

EXISTING PIPE IS NOT PERFECTLY PLUMB. USE MEGAFLANGE 2100 FLANGE ADAPTOR.

ALTERNATE 4" GATE VALVE LOCATION

8x8x4 TEE

ANVIL FIG 195 BRACKET NO. 1 UNDER EACH JOINT. (JOINTS TO BE INSTALLED REGARDLESS OF 4" GATE VALVE PLACEMNT)

USE MEGAFLANGE 2100 OR E-Z FLANGE 1000.

3/4" NPT TAP FOR CHEMICAL FEED

USE MEGAFLANGE 2100 OR E-Z FLANGE 1000.

8" GATE VALVE

TWO EXISTING 3/4" CONDUITS.

ELEVATION 48.0'

EXISTING 8" ELBOW UP ON CONCRETE PEDESTAL TO REMAIN IN PLACE.

EXISTING CONCRETE PEDESTAL

4" GATE VALVE

ANVIL FIG 216 4" PIPE CLAMP OVER FLANGE AND SECURE TO WALL WITH 3/4" Ø ANCHOR BOLT. SECURED AS DEPICTED IN VIEW C-C

USE MEGAFLANGE 2100 OR E-Z FLANGE 1000.

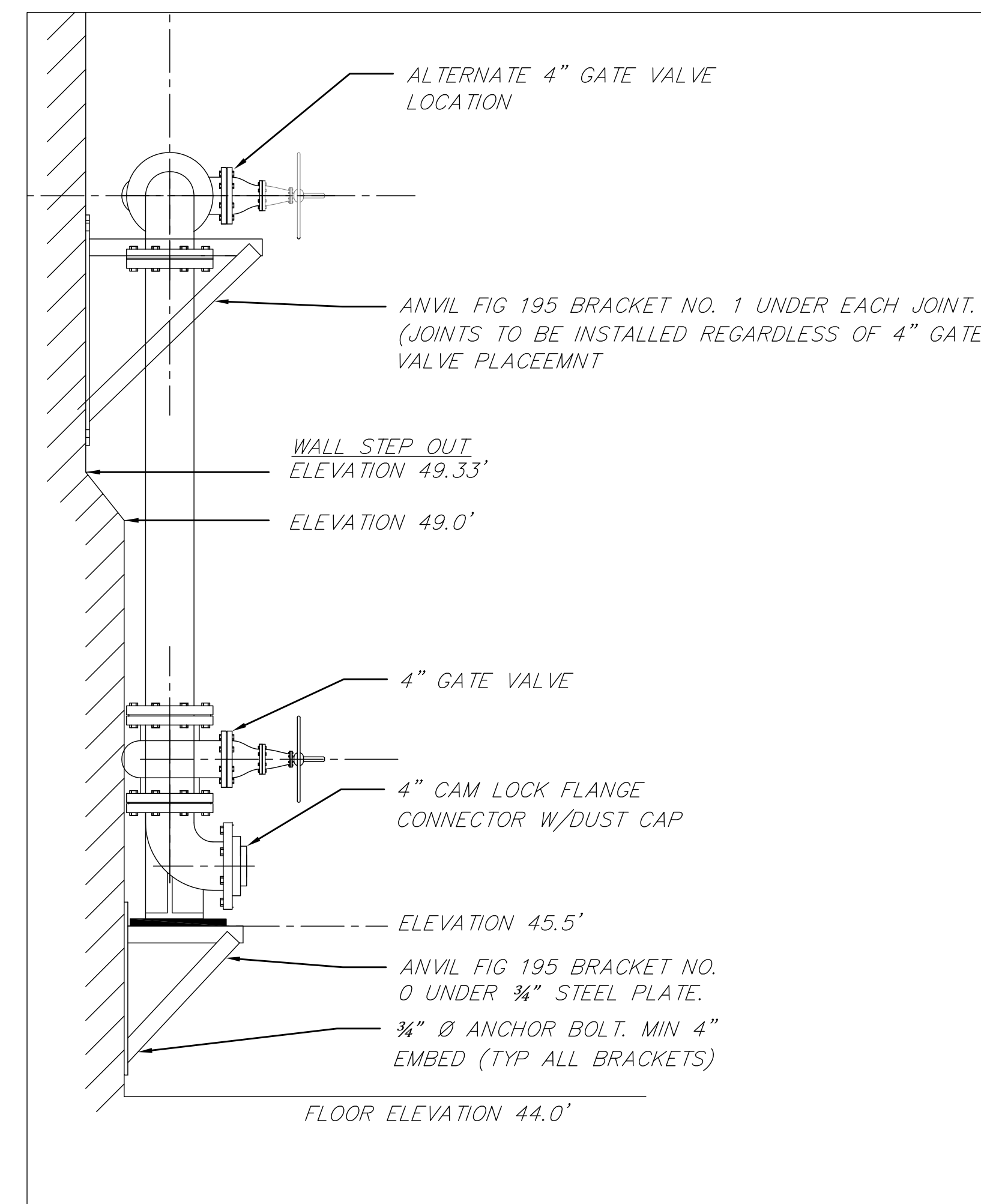
4" CAM LOCK FLA CONNECTOR W/DUST CAP

4" FLANGED BASE BEND

ANVIL FIG 195 BRACKET NO. 0 UNDER 3/4" STEEL PLATE.

3/4" Ø ANCHOR BOLT. MIN 4" EMBED (TYP ALL BRACKETS)

FLOOR ELEVATION 44.0'



VIEW B-B
SCALE = NTS

ALTERNATE 4" GATE VALVE LOCATION

ANVIL FIG 195 BRACKET NO. 1 UNDER EACH JOINT. (JOINTS TO BE INSTALLED REGARDLESS OF 4" GATE VALVE PLACEMNT)

WALL STEP OUT ELEVATION 49.33'

ELEVATION 49.0'

4" GATE VALVE

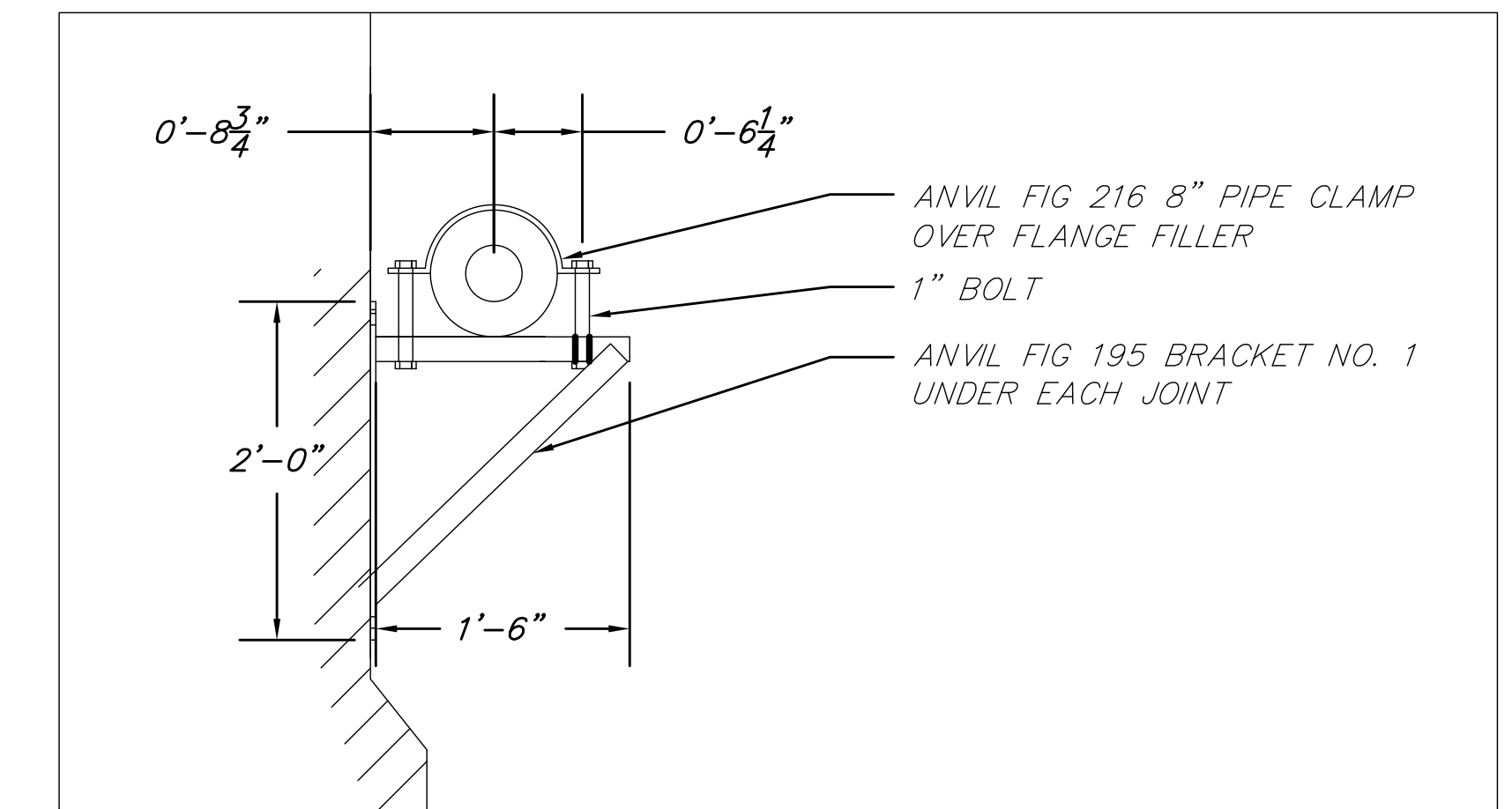
4" CAM LOCK FLANGE CONNECTOR W/DUST CAP

ELEVATION 45.5'

ANVIL FIG 195 BRACKET NO. 0 UNDER 3/4" STEEL PLATE.

3/4" Ø ANCHOR BOLT. MIN 4" EMBED (TYP ALL BRACKETS)

FLOOR ELEVATION 44.0'

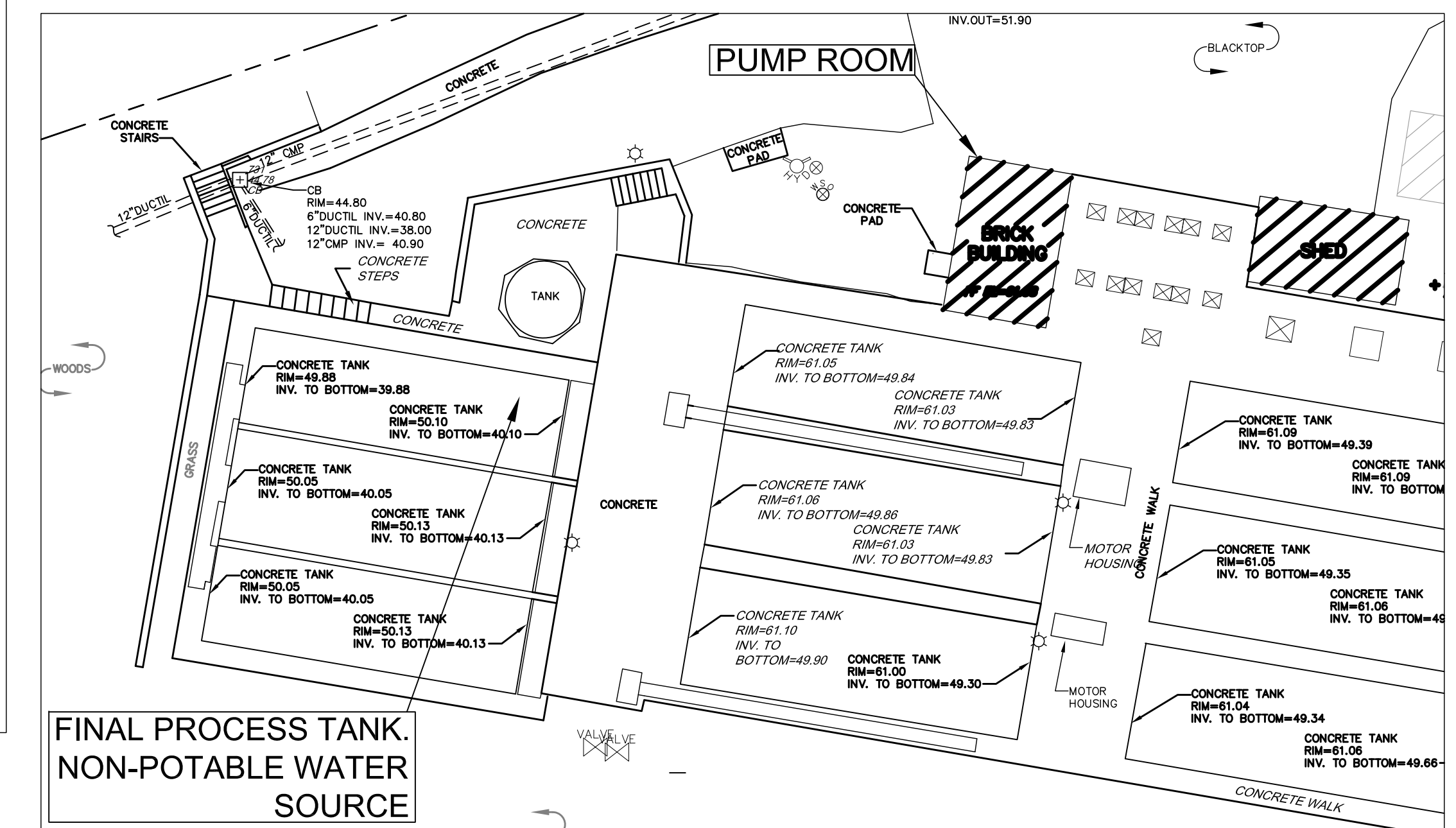


VIEW D-D
SCALE = NTS

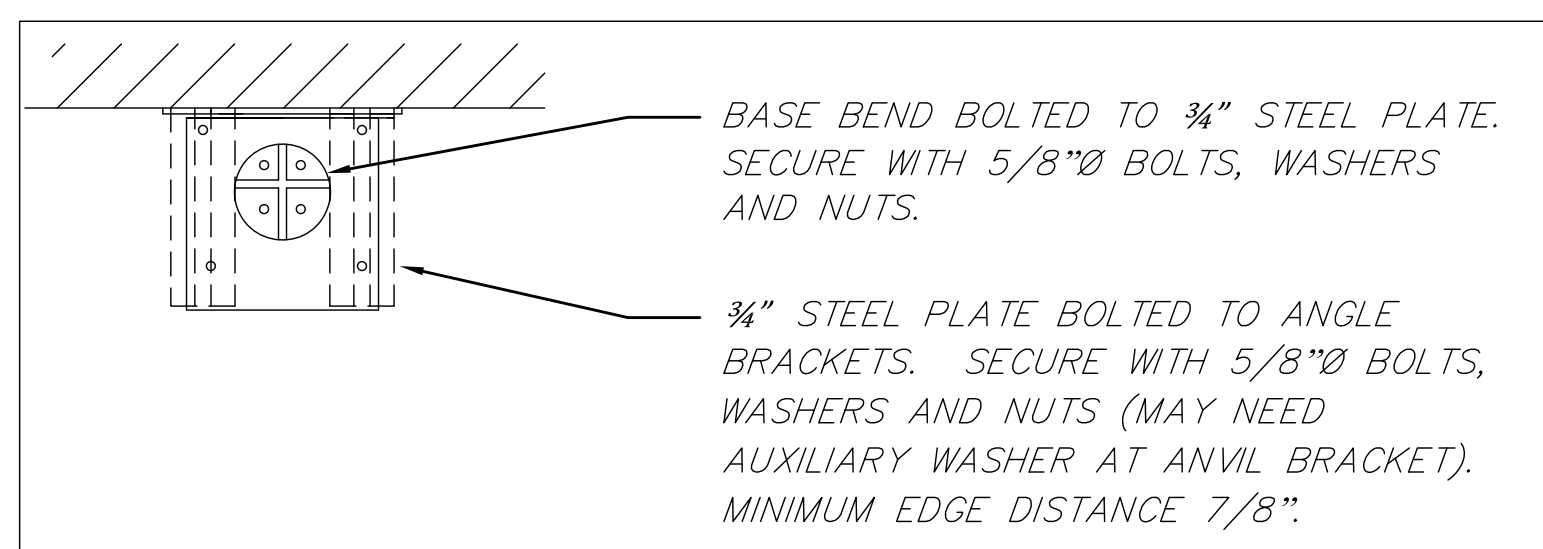
ANVIL FIG 216 8" PIPE CLAMP OVER FLANGE FILLER

1" BOLT

ANVIL FIG 195 BRACKET NO. 1 UNDER EACH JOINT



SITE CONFIGURATION
SCALE = 1:200



VIEW A-A
SCALE = NTS

BASE BEND BOLTED TO 3/4" STEEL PLATE. SECURE WITH 5/8" Ø BOLTS, WASHERS AND NUTS.

3/4" STEEL PLATE BOLTED TO ANGLE BRACKETS. SECURE WITH 5/8" Ø BOLTS, WASHERS AND NUTS (MAY NEED AUXILIARY WASHER AT ANVIL BRACKET). MINIMUM EDGE DISTANCE 7/8".

TOWN OF POUGHKEEPSIE ENGINEERING DEPARTMENT		REV. No.	DESCRIPTION	DATE	BY
		ARLINGTON WWTP EFFLUENT WATER PUMP UPGRADE			
		78 SAND DOCK RD		POUGHKEEPSIE, NY	
		DISCHARGE PIPE RECONFIGURATION			
DATE 2-21-2018	SCALE NTS	DESIGNED BY: PEH DRAWN BY: SFC	CONTRACT No. 2018-1		
DWG 1 of 2					